

Snorkel ECONOMY

Snorkelift® PRO-126

Smooth operation, larger work envelope and 4 wheel drive make these articulating, telescoping work platforms ideal for up-out-over-down platform placement in precise locations on almost any jobsite.



SPECIFICATIONS

Working Height Platform	132'	40.2 m
Height	126'	38.4 m
Capacity	500 lbs.	227 kg
Size	30" x 92"	76 x 234 cm
Construction	High strength aluminum alloy	
Boom Construction		
Two Lower	Steel	
Two Upper and Jib Boom	High strength aluminum alloy	
Boom Extension	Double acting hydraulic cylinder and dual wire rope cables in both upper and lower boom sections	
Boom Guides	Lubrication free. ultra high molecular weight polyethylene	
Pivot Pin Bearing	Lubrication free. composite material	
Horizontal Reach	63'	19.2 m
Elevation	+75° / -1°	
Hose & Wiring Extension	Telescoping housing attached to sides of booms	
Turntable Rotation	360° continuous	
Power Source	Gas or Diesel engine standard LPG/Dual Fuel optional	
Fuel Capacity	40 U.S. gal.	151.4 L
Hydraulic System Capacity	90 U.S. gal.	340 L
Maximum Drive Speeds		
High (Booms Stowed Only)	3 mph	4.83 kph
Middle (Booms Stowed Only)	1.5 mph	2.42 kph
Low (Below Mid Elevation)	.75 mph	1.21 kph
Creep (Beyond Mid Elevation)	10 fpm	3 mpm
Gradeability	25%	
Turning Radius (Inside w/axle extended)	19'	5.8 m
Stowed Height	10' 4"	3.1 m
Width (Stowed)	8' 6"	2.6 m
Width (Axle Extended)	12' 10"	3.9 m
Stowed Length	42' 9"	13 m
Wheel Base	12'	3.66 m
Tires	12" x 22"	30 x 56 cm
Type	foam filled. 18 ply rating	
Weight (approx.)	41,840 lbs.	18,978 kg

- 6' articulated jib boom
- Hydraulically operated self-stowing platform
- Easily transports on conventional lowboy trailer
- Microprocessor controlled envelope management system
- Fully proportional ramp-on controls
- 4 wheel drive
- 4 wheel braking
- 3 speed shift-on-the-go drive
- Polyurethane filled tires
- Hydraulically extendable rear axles
- Built-in chassis jack
- 180° hydraulic platform rotation
- 12 volt battery operated emergency power
- Manual bleed down valve
- Driveable at full height
- 3 1/2° tilt alarm
- 110 volt electrical wiring to platform
- Aluminum alloy upper booms
- Hour meter and ammeter
- 60 month warranty

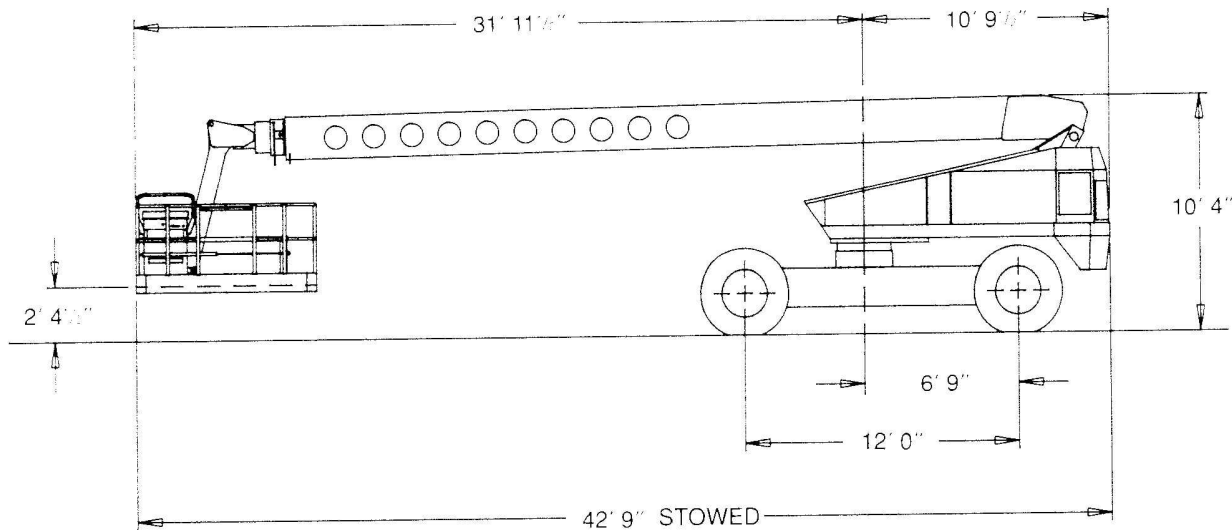
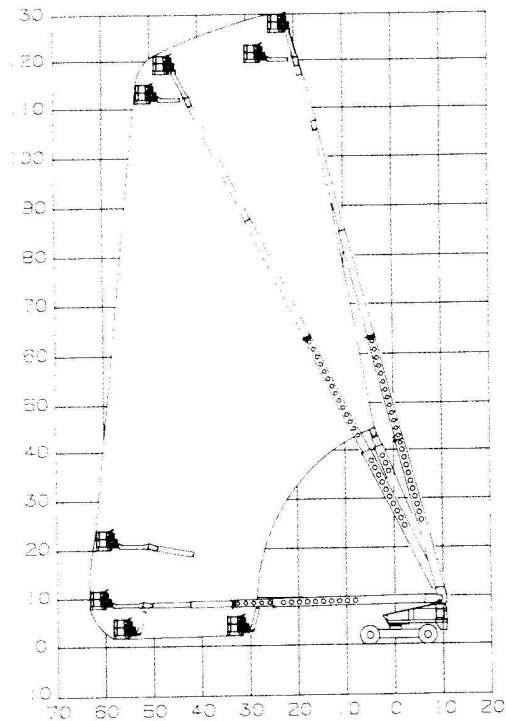
Snorkel ECONOMY

Snorkelift[®] PRO-126

Articulating Jib BOOMS

Optional Equipment

- Dual fuel power
- LP gas only power
- AC generator



DANGER: Models described in this brochure are NON-INSULATED and do not provide electrocution protection from contact with or close proximity to energized conductors which is pointed out on decals and placards attached to the machine.

Only qualified and trained operators are to be authorized to use and operate a work platform.

Aerial work platforms must be elevated only on a firm, level surface.

Products in this brochure comply with applicable ANSI Standards. This literature is for illustrative purposes only. Consult Operating/Maintenance and Parts Manuals for proper procedures. Specifications may vary and are subject to change without notice or obligation.

Sales, Rental, Service by:

Snorkel ECONOMY

A FIGGIE INTERNATIONAL COMPANY

P.O. Box 4065, St. Joseph, MO 64504-0065
Phone: (816) 364-0317
FAX: (816) 364-0380

Printed in U.S.A.
PRO-126 9 94